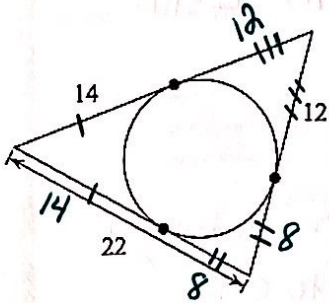


## Day 6 – Tangent Properties – Practice

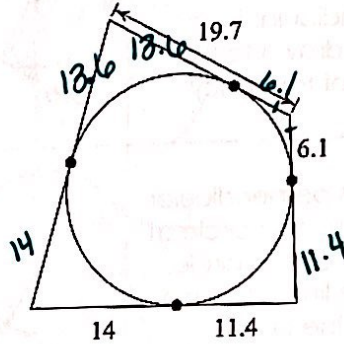
For problems 1-2, find the perimeter of each polygon.

1.



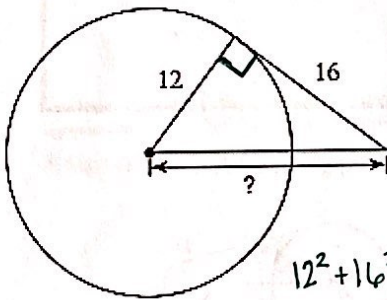
$P = 68$

2.



$P = 90.2$

3. Find the missing segment length.

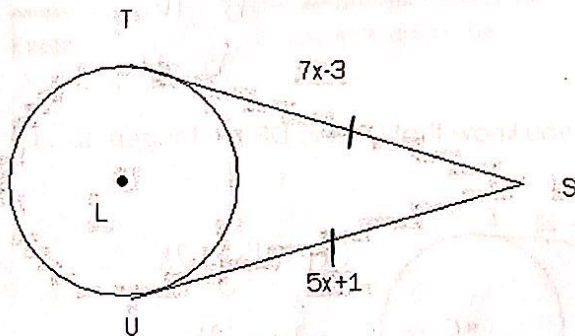


$12^2 + 16^2 = c^2$

$400 = c^2$

$20 = c$

5. Solve for x.

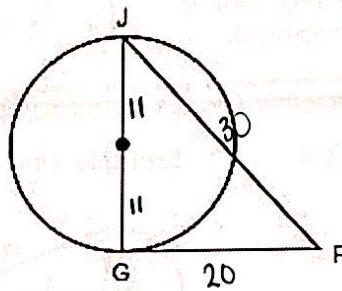


$7x-3 = 5x+1$

$2x = 4$

$x = 2$

4. JG is the diameter of the circle whose radius is 11. If PG = 20 and JP = 30, is GP tangent to the circle?

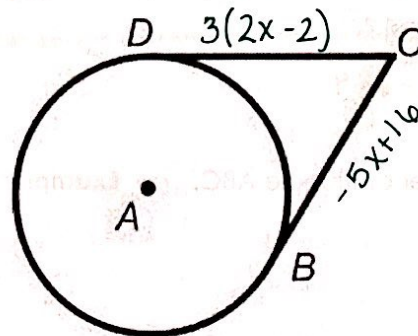


$20^2 + 22^2 \stackrel{?}{=} 30^2$

$884 \neq 900$

No, GP is not tangent to the circle.

6. Given  $CD = 3(2x-2)$  and  $CB = -5x+16$ , find mCD.



$3(2x-2) = -5x+16$

$6x-6 = -5x+16$

$11x = 22$

$x = 2$

$CD = 3(2 \cdot 2 - 2)$

20

$CD = 6$